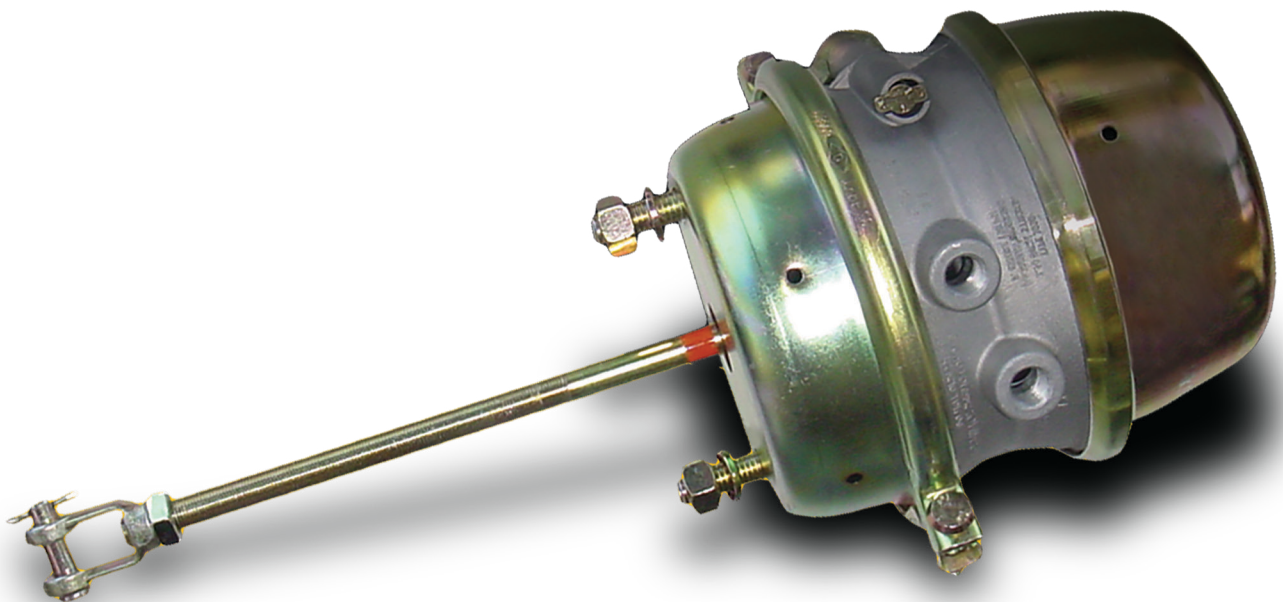


SPRING BRAKES & CHAMBERS

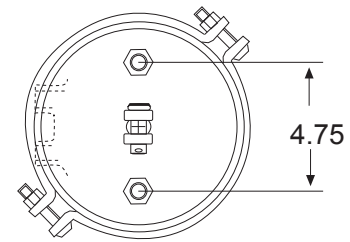
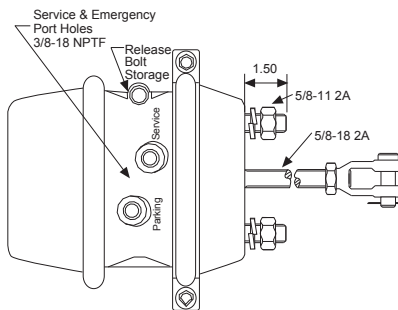


FEATURES & BENEFITS

Alliance brake chambers are designed to provide years of safe, dependable operation for service, parking or emergency braking applications. These spring brakes and service chambers feature rugged construction, heavy-gauge housings and steel components to reduce corrosion and potential equipment failure.

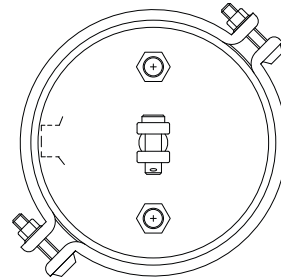
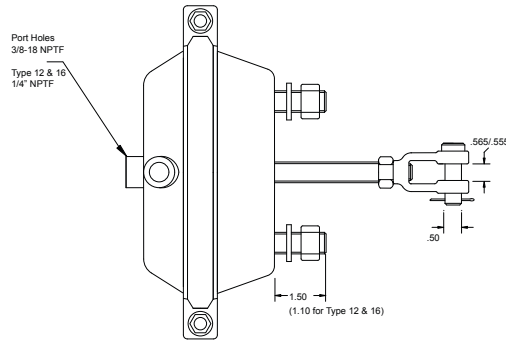
- Treated and coated for corrosion protection, dramatically extending life
- Guided spring pressure plate prevents side forces which cause diaphragm sidewall and seal wear
- Special crimping method ensures a no-guess diaphragm seal and allows for a low profile without clamp interference
- Steel internal rod and slotted center seal design improves alignment of moving parts and prevents premature seal wear
- Synthetic blended rubber diaphragms for superior resistance against abrasion and fatigue cracking

SPRING BRAKES SPECIFICATIONS



ALLIANCE P/N	SIZE	STROKE	CLEVIS
QABP N42A12024CD	2024	2.5"	Threaded
QABP N42A12424CD	2424	2.5"	Threaded
QABP N42A12430CD	2430	2.5"	Threaded
QABP N42A23030CD	3030	2.5"	Threaded
QABP N42A23030C3D	3030	3"	Threaded
QABP N42A13036CD	3036	2.5"	Threaded
QABP N42A13636CD	3636	3"	Threaded

SERVICE CHAMBERS SPECIFICATIONS



ALLIANCE P/N	SIZE	STROKE	CLEVIS
QABP N42A12SCD	12	1.75"	Threaded
QABP N42A16SCD	16	2.25"	Threaded
QABP N42A20SCD	20	2.5"	Threaded
QABP N42A24SCD	24	2.5"	Threaded
QABP N42A24SC3D	24	3"	Threaded
QABP N42A30SCD	30	2.5"	Threaded

COMPONENTS



ALLIANCE P/N	DESCRIPTION
QABP N42AD12000D	Diaphragm - T12 - 1.75" Stroke
QABP N42AD16000D	Diaphragm - T16 - 2.25" Stroke
QABP N42AD20000D	Diaphragm - T20 - 2.25" Stroke
QABP N42AD24000D	Diaphragm - T24 - 2.25" Stroke
QABP N42AD24002D	Diaphragm - T24 - 2.5" Stroke
QABP N42AD30000D	Diaphragm - T30 - 2.5" Stroke
QABP N42AD30003D	Diaphragm - T30 - 3" Stroke
QABP N42A10025A	Release Tool Assembly
QABP N42A10026BD	Clevis Assembly Thread = 5/8" Pin = 5/8"
QABP N42A10026AD	Clevis Assembly Thread = 5/8" Pin = 1/2"

Illustration and photographs used in this catalogue may vary slightly from the actual product. Prototype samples are sometimes for photography. The production parts may vary slightly. Availability of products shown in this catalogue is subject to change without notice. Alliance Truck Parts is a registered trademark of Daimler Trucks North America LCC.

MAINTENANCE

Because no two vehicles operate under identical conditions, maintenance intervals will vary. Experience is a valuable guide in determining the best maintenance interval for a vehicle.

WARNING!

Spring Brake Chambers and Piggyback Spring Brake chambers contain a loaded compression spring.

Property damage, serious injury or death may occur if instructions are not followed completely.

WARRANTY

Alliance Truck Parts are backed by a 1-year/unlimited kilometre standard warranty.



FIND YOUR NEAREST LOCATION AT ALLIANCETRUCKPARTS.CO.NZ



Mercedes-Benz is a registered trademarks of Daimler AG, Stuttgart Germany. Freightliner and Alliance Truck Parts are registered trademarks of Daimler Trucks North America LLC, all distributed by Daimler Truck and Bus Australia Pacific Pty Ltd. ACN 618 413 282 / NZCN 8039364. Specifications are subject to change without notice.

Copyright © Daimler Truck and Bus Australia Pacific Pty Ltd. All rights reserved.

DAIMLER TRUCK